

AUDITOR R-130C

Woofer (5")

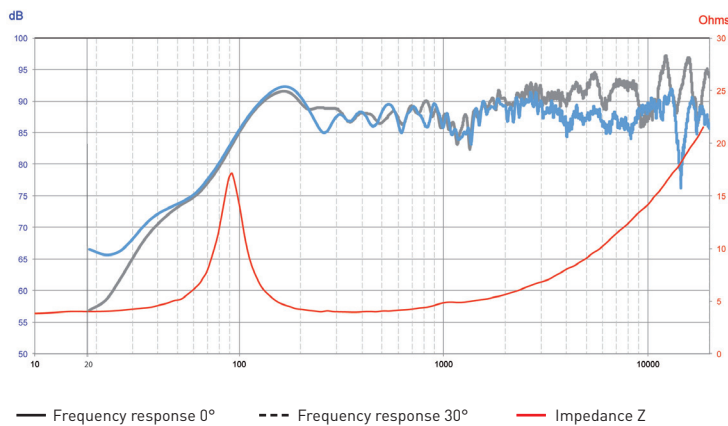


- Polypropylene Cone
- Steel basket
- Mylar tweeter

SPECIFICATIONS

Nominal power	50W RMS	
Maximum power	100W	
Sensitivity (2,83V/1m)	90dB	
Cone	Polypropylene	
Surround	Rubber	
Nom. impedance	4 Ω	
DC resistance	3.7 Ω	
VC diameter	25mm	1"
VC height	7.5mm	0 ¹⁹ / ₆₄ "
Former	Kapton	
Layers	2	
Wire	Copper	
Xmax	± 2mm	0 ⁵ / ₆₄ "
Magnet d x h	86mm x 15mm	3 ²⁵ / ₆₄ x 0 ¹⁹ / ₃₂ "
Flux density	1.2T	
Gap height	3.5mm	0 ⁹ / ₆₄ "
Net weight	750g	1.65 lbs

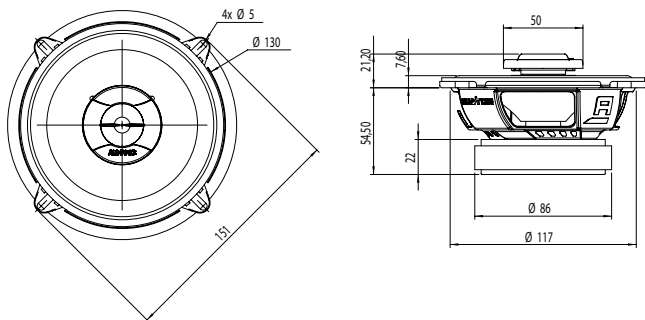
FREQUENCY RESPONSE/IMPEDANCE



PARAMETERS

Fs	92.3Hz
Vas	3.58L
Qts	0.885
Qes	1.08
Qms	4.91
Re	3.7 Ω
Sd	83.32cm ²
Cas	2.55E-08m ⁵ /N
Mas	129.49 Kg/m ⁴
Ras	14523.84 Ω.ac
Cms	3.67E-04m/N
Mms	8.99g
Rms	1.008Kg/s
Ces	530.02mF
Les	6.22mH
Res	16.82 Ω
BI	4.12N/A
SPL	85.32dB
f-3dans 30L	82Hz

MECHANICAL DRAWING



Performance
CREATE YOUR SOUND

FOCAL
THE SPIRIT OF SOUND